

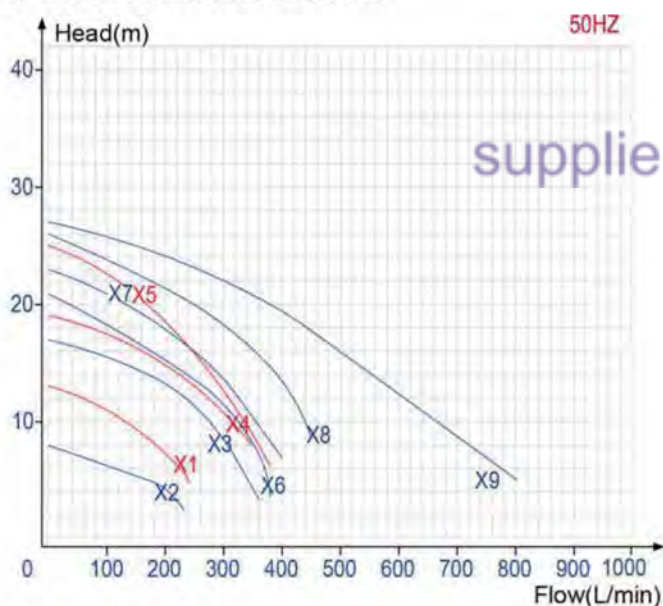


Used latest ejecting engineer technology. It is Durable, can resist high temperature, high pressure, and anti-corrosion.

Unique Teflon Bellow Seal design. Simple operation and easy maintain.

Widely used for high capacity waste water transporting and all kinds of chemical pumping application.

Performance Curve



Specification

Model	In/Outlet mm	Power			50HZ			60HZ		
		Phase	kW	POLES	Curve	Max. Head M	Max. Flow L/min	Curve	Max. Head M	Max. Flow L/min
S-PC 4012H	40x40	3	0.75	2	X1	13	240	V1	16	240
S-PC 4014L	40x40	3	0.75	4	X2	8	230	V2	9	270
S-PC 4022L	40x40	3	1.5	2	X3	17	360	V3	20	320
S-PC 4022H	40x40	3	1.5	2	X4	19	350	V4	25	350
S-PC 4032H	40x40	3	2.25	2	X5	25	400	V5	28	410
S-PC 5032L	50x50	3	2.25	2	X6	21	380	V6	22	360
S-PC 5032H	50x50	3	2.25	2	X7	23	400	V7	30	430
S-PC 5052H	50x50	3	3.75	2	X8	26	450	V8	34	550
S-PC 7552H	75x75	3	3.75	2	X9	27	800	V9	35	860

Specific gravity 1.0

STRUCTURE

S-PC Series Self Priming Chemical Pump

S-PC 0.75~3.75 kW, 1-1/2"~2" with frpp frame

S-PC 3.75 kW, 3" with cast iron frame



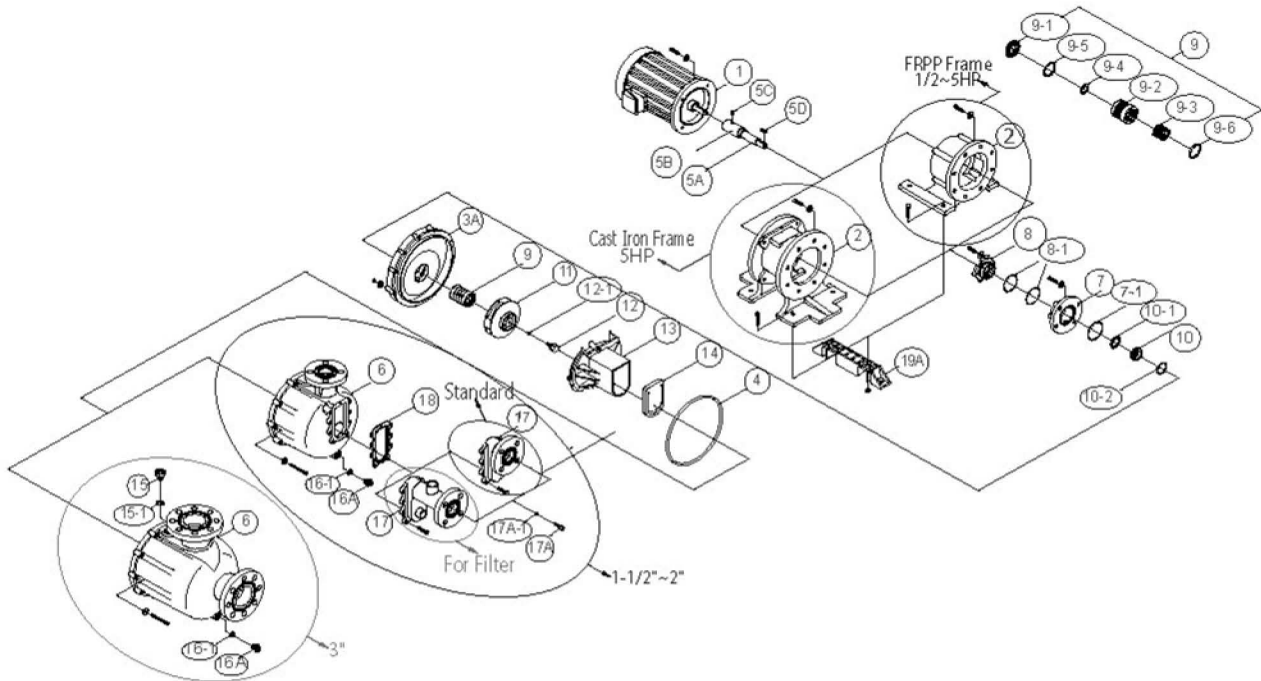
STRUCTION MATERIAL TABLE

Part NO.	Name	Material
1	Motor	MOTOR
2	Shaft & Shaft Sleeve	SUS 304/316 ,Teflon
3	Mech Seal (Fixed Side) & O-ring	FRPP/PVDF,VITON,SIC & EPDM/VITON
4a	Bracket	FRPP/ Cast Iron
4b	Rear Cover	FRPP/PVDF
5	Body O-ring	EPDM/VITON
6	Mech Seal(Rotation Side)	TEFLON,VITON,Carton/SIC
7	Impeller	FRPP/PVDF

Part NO.	Name	Material
8	Impeller Nut & O-ring	FRPP/PVDF,EPFM/VITON
9	Middel Cover	FRPP/PVDF
10	Mainbody	FRPP/PVDF
11	Drain Nut & O-RING	FRPP/PVDF,EPFM/VITON
12	Self priming cover	FRPP/PVDF
13	Check Valve	EPDM/VITON
14	Self priming packing	EPDM/VITON

S-PC 0.75~3.75 kW, 1-1/2"~2" with frpp frame

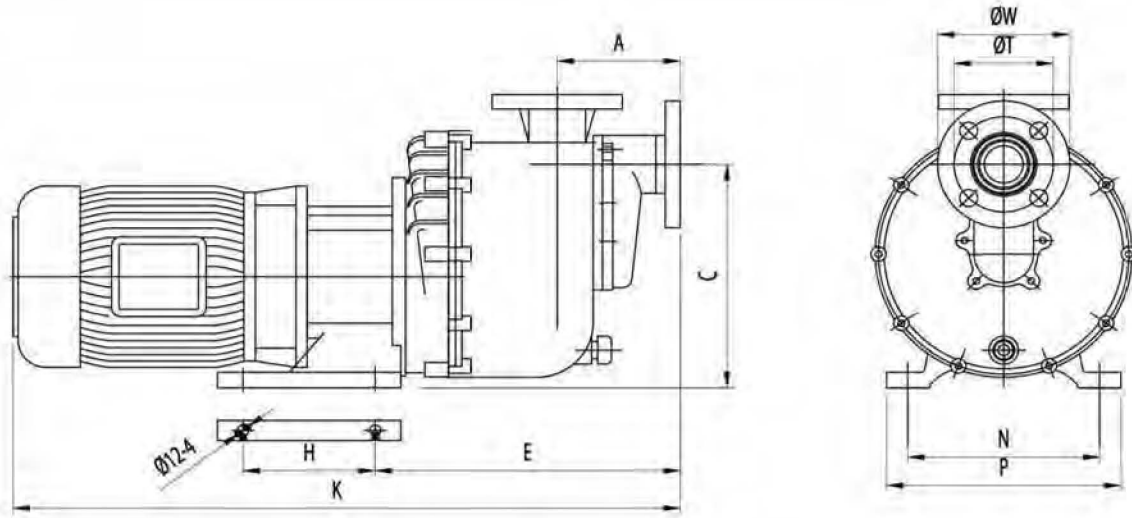
S-PC 3.75 kW, 3" with cast iron frame



supplierfilterair.com

No.	Part Name	Material	No.	Part Name	Material
1	Motor	FC	9-3	SPRING	SUS
2	BASE FRAME	FRPP/FC	9-4	FRONT O-RING	VITON
3	REAR COVER	FRPP/PVDF	9-5	BELLOWS PACKING	VITON
4	REAR COVER O-RING	EPDM/Viton	9-6	BELLOWS REAR O-RING	VITON
5	SHAFT	SUS	10	FIXED-SEAL	SIC /CARBON
5-A	SHAFT SLEEVE	TEFLON	11	IMPELLER	FRPP/PVDF
5-B	SHAFT	SUS	12	IMPELLER NUT,O-RING	FRPP/PVDF,VITON
5-C	SHAFT SCREW	SUS	13	CHECK COVER	FRPP/PVDF
5-D	IMPELLER KEY	SUS	14	CHECK VALVE	EPDM
6	MAIN BODY	FRPP/PVDF	15	WATER FILING CAP , O-RING	FRPP/PVDF,VITON
7	SEAL COVER, O-RING	FRPP/PVDF,VITON	16	DRAIN CAP	FRPP/PVDF
8	STATIONARY RING BASE , O-RING	FRPP/PVDF,VITON	17	SELF-PRIMING COVER	FRPP/PVDF
9	FRONT SEAL	TEFLON	18	COVER PACKING	EPDM/VITON
9-1	ROTATIONAL-SEAL	SIC	19	BASE	FRPP
9-2	TEFLON BELLOWS	TEFLON			

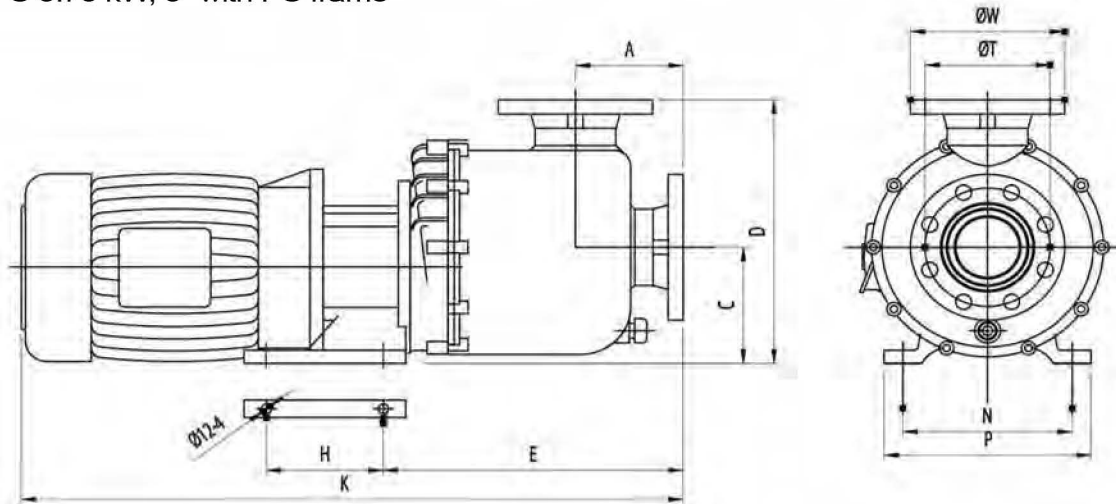
S-PC 0.75~3.75 kW, 1-1/2"~2" with frpp frame



Unit:mm

MODEL	A	C	E	H	K	N	P	T	W
S-PC 4012	128	250	313	140	623	205	250	105	140
S-PC 4022	128	250	313	140	701	205	250	105	140
S-PC 4032	128	250	313	140	701	205	250	105	140
S-PC 5032	128	250	313	140	701	205	250	120	155
S-PC 5052	128	250	313	140	740	205	250	120	155

S-PC 3.75 kW, 3" with FC frame



Unit:mm

MODEL	A	C	D	E	H	K	N	P	T	W
S-PC 7552	123	150	336	360	140	800	205	250	150	185

CHEMICAL	Concentration	Temperature	PUMP CASING		SEAL SURFACE		O-RING,GASKET	
	%	°C	FRPP	PVDF	Carbon	SIC	EPDM	VITON
HNO ₃	20	40	●	●		●		●
		60	○	●		●		●
		80	○	●		●		●
	50	40	●	●		●		●
		60	○	●		●		●
CrO ₃	20	40		●		○		●
		60		●		○		●
		80		●		○		○
H ₃ PO ₄	25	40	●	●	●	●	●	●
		60	●	●	●	●	●	●
		80	○	●	●	●	○	●
	50	40	●	●	●	●	●	●
		60	●	●	●	●	○	●
		80	○	●	●	●	○	●
NaOH	45	40	●	●	●	●	●	○
		60	○	○	●	●	●	△
		80	○	X	●	●	○	△
H ₂ SO ₄	30	40	●	●	●	●	●	●
		60	●	●	●	●	●	●
		80	●	●	●	●	○	●
		95		●	●	●		●
	60	40	●	●	●	●	●	●
		60	●	●	●	●	●	●
		80	○	●	●	●	○	●
	98	95		●	●	●		●
		40		●	●	●		●
HCL	15	60		○		●		●
		40	●	●	●	●	●	●
		80	○	●	●	●	○	●
	32	40	●	●	●	●	○	○
		60	●	●	●	●		
		80	○	●	●	●		
NiSO ₄		40	●	●	●	●		●
		60	●	●	●	●		●
CU(CN) ₂		40	●	●	●			●
		60	●	●	●			●
		80						

● Long Life ○ Corrvie Lightly △ Corrosive X Corrosive Badly